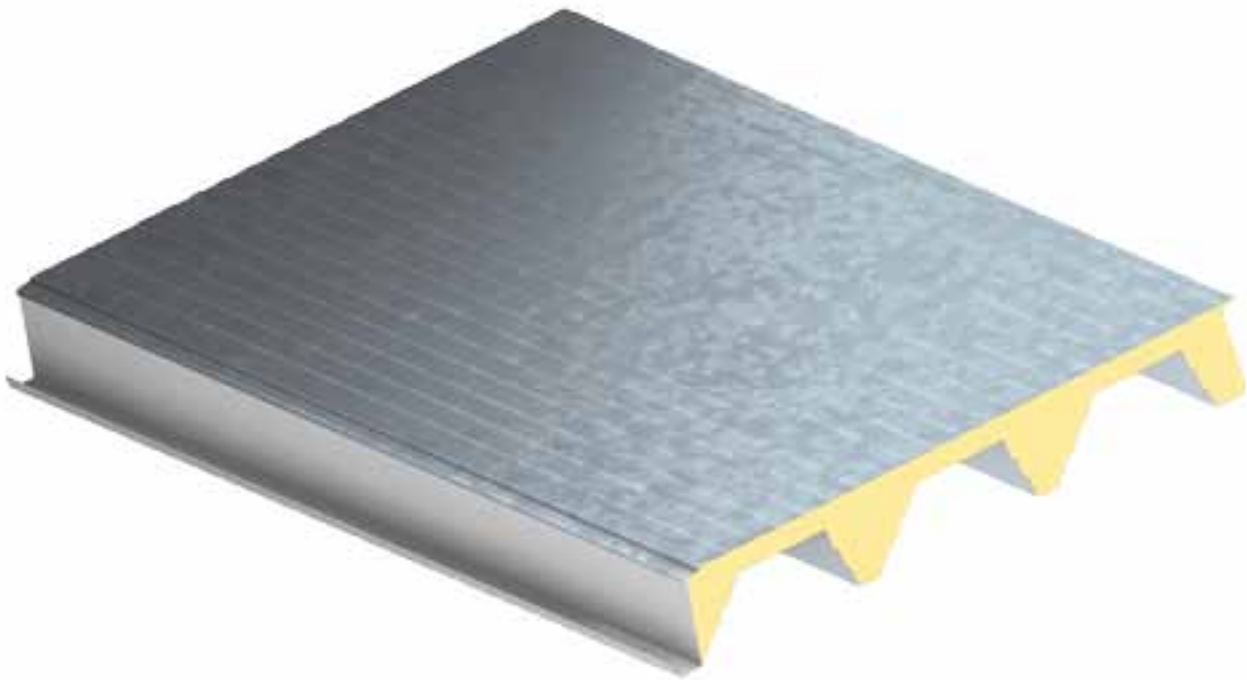


Kingspan

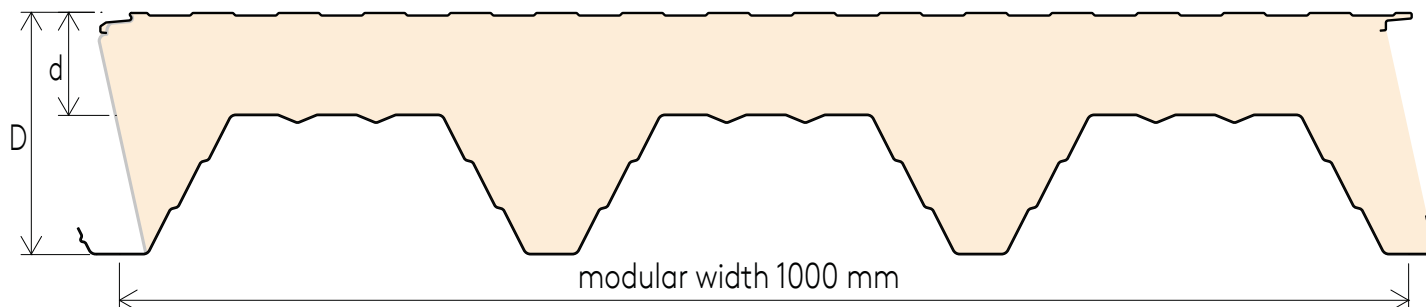
KS1000 X-dek™ (XD)

Product Data Sheet

Roof panel with IPN core and steel sheet on external side.



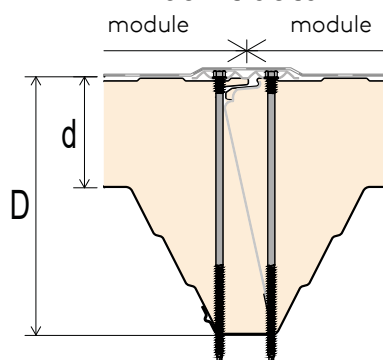
Cross section



Application

KS 1000 X-dek™ XD panel is suitable for flat roofs in all building applications, except where there are low temperature internal conditions. X-dek panels are insulated roof panels suitable for flat roofs roof slope > 1%. KS1000 X-dek™ XD panels are suitable for “Green Roof” solutions. KS1000 X-dek™ XD panels can be used as “standard” panel and as a part of steel structure “structural” panel (restraining for the rafters). The application of panel should be verified for each project individually, in order to meet the design requirements.

Joint detail

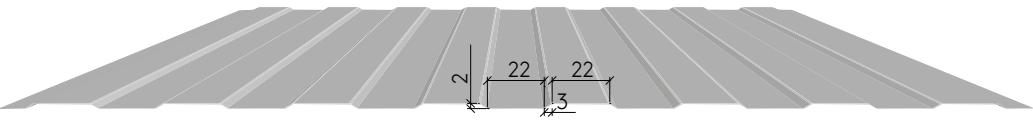
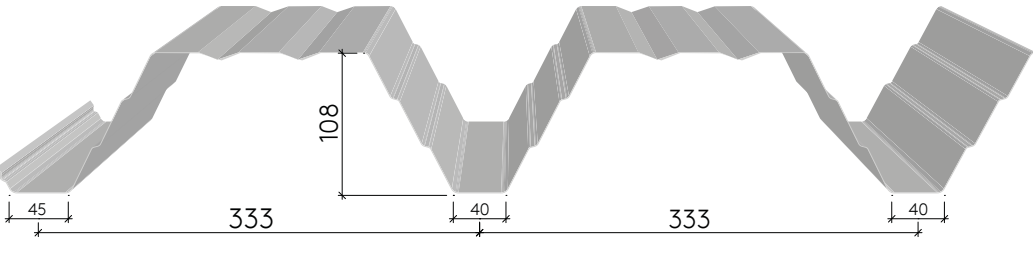


Technical details

Product	Module [mm]	Insulation core thickness d/D [mm]	Weight [kg/m ²]		Production length ⁽²⁾ [m]		Number of panels in bundle [pcs]	Heat transfer coefficient U [W/(m ² K)] for λ = 0,022 [W/mK] at temp. 10°C	Sound reduction index R _w [dB]	Fire parameters		
			Bottom deck thickness		Min. ⁽¹⁾	Max.				Spreading fire rate	Reaction to fire	Fire resistance ⁽³⁾⁽⁴⁾
			0,9 mm	1,1 mm								
KS1000 X-dek™ (XD)	1000	100/208	21,29	23,63	3,0	15,0	7	0,20	24	B _{ROOF} (t ₁ , t ₃)	B-s2,d0	REI 20 (0°-15°)
		140/248	22,73	25,07			6	0,15				REI 30 (0°-15°)

- Note:
- 1) At the request of the ordering party (for an additional fee) it is possible to deliver shorter panels. In other cases, short sections are combined in length meeting the production requirements.
 - 2) All panels are manufactured with factory made endlaps (included in total length). Dimension of cutback: 50-630 mm; Cut Back orientation: left or right.
 - 3) For maximum allowed span, in case of fire resistance requirements, please contact Kingspan Technical Service.
 - 4) Fire resistance parameters are valid for the product specification based on specific fire resistance classification of relevant product.

Technical data

Profilation	Geometry - dimensions in [mm]	Exterior	Interior
D (Deep)		■	
V (Trapez)			■

- standard
- on request

Material

● **Exterior coating facings:**

- Hot-dipped zinc coated steel according to EN 10326:2004. Grade S280GD + Z275 – thickness 0,7 mm - galvanised steel with a 5 microns clear film conversion layer for bonding to. Available profiles on top sheet: MiniBox;
- steel sheet with an organic coating made of polyester with a thickness of 15 µm (SP15 - PEI);
- steel sheet with an organic coating made of polyester with a thickness of 25 µm (SP25 - PES);

Note: The type of external coating depends on the availability of the sheet at the moment. It is not possible to choose the external coating.

● **Interior coating facings:**

- hot dip zinc coated steel according to EN 10 346 of 0,9 mm or 1,1 mm gauge;

● **Insulation core:**

- closed cell rigid IPN foam;

Interior Coating Options

- **Poliester SP15 - (Kingspan PEI)** - corrosivity category up to C2; ■
- **Poliester SP25 - (Kingspan PES)** - corrosivity category up to C3; ●
- **PVD(F) 2 layers - (Kingspan PVD(F) 2 layers)** - corrosivity category up to C3¹⁾; ●
- **PVD(F) 3 layers - (Kingspan PVD(F) 3 layers)** - corrosivity category up to C3¹⁾; ●
- **PUR55 - (Kingspan Spectrum)** - corrosivity category up to C4¹⁾; ●

1) Corrosion resistance category up to C4 on special order; to be confirmed by Kingspan's Quality Control Department.
 2) Corrosion resistance category up to C5-I, M on special order; to be confirmed by Kingspan's Quality Control Department.

Conformity

For Technical Approval please contact your local Kingspan Office.

Quality

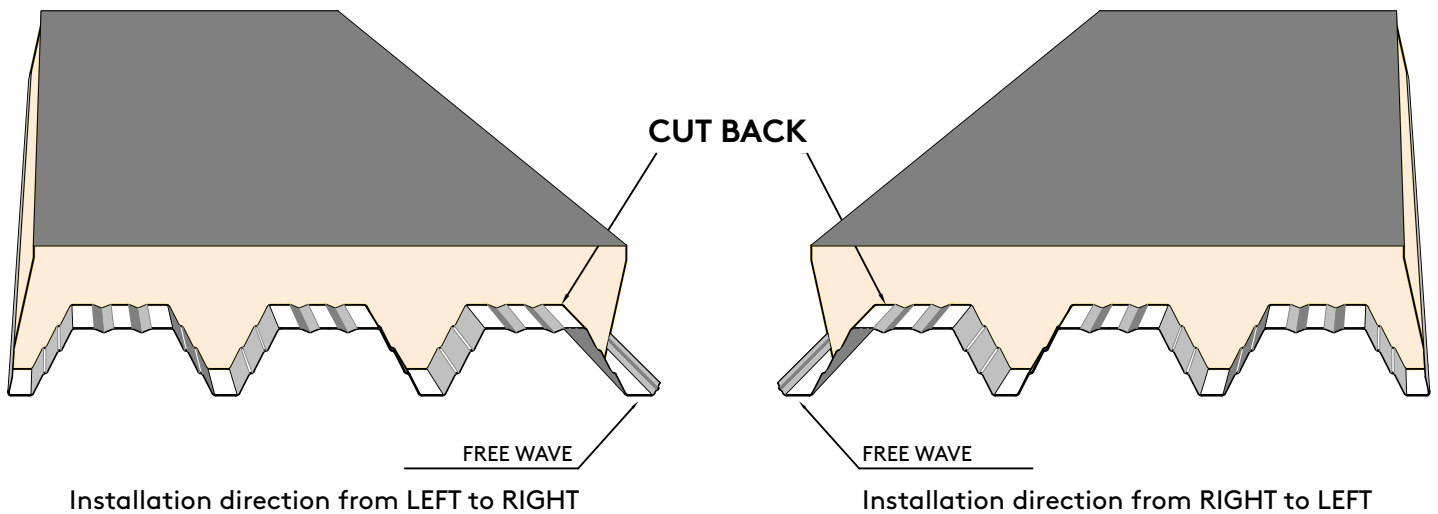
Kingspan insulated sandwich panels are manufactured from the highest quality materials, using state of the art production equipment to rigorous quality standards, complying with ISO 9001:2015, ensuring long term reliability and service life.

Guarantees & Warranties

Kingspan will provide coating and product guarantees on a project by project basis.

LEFT PANEL

RIGHT PANEL



Kingspan AB
Prytzgatan 6
431 31 Mölndal
Tel. +46 (0)31 760 26 99
E-mail: info@kingspan.se

Information about the product offer in others countries can be obtained from your local sales representative or on the website www.kingspan.com



Although Kingspan makes every effort to provide information contained in this publication were as accurate as possible, correct and complete, please note that its content should not be the basis of the procedure in any particular case. Any advice, opinions, information or other content is published solely based on the principle that neither the company, its employees or representatives, or people who contributed to the uprising of this publication, do not assume any liability for its content or any damage caused in connection with this content.