

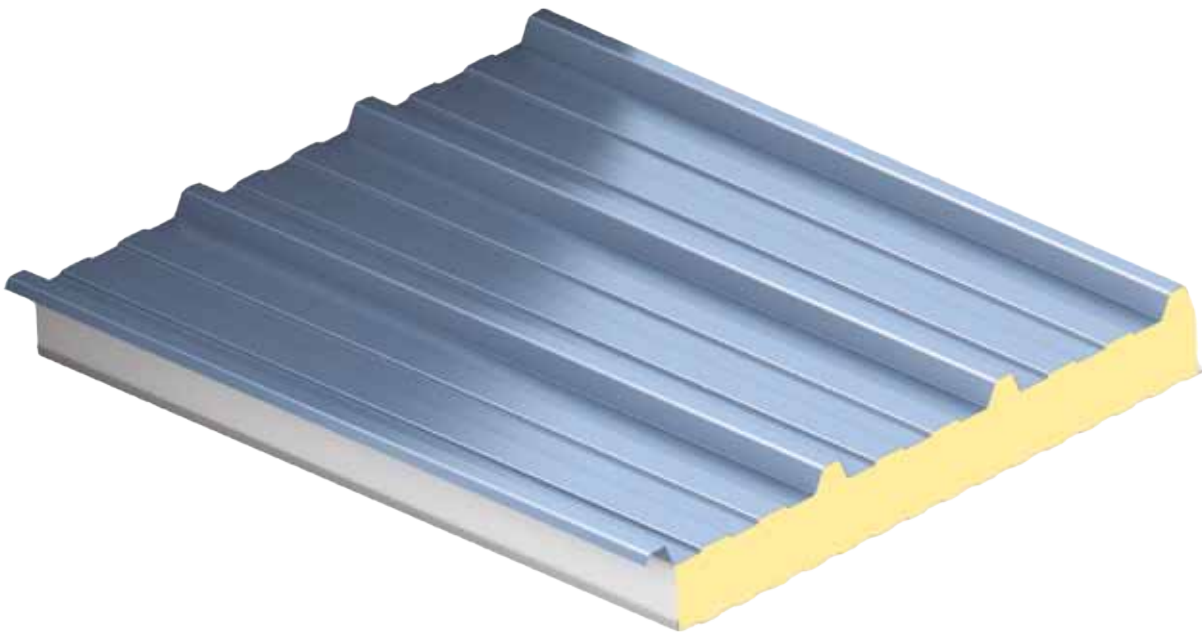
Insulated Panels
Sweden

Kingspan

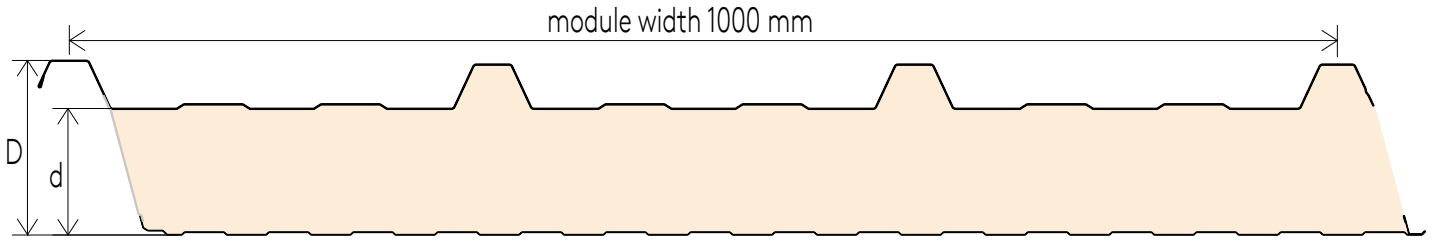
KS1000 RW

Product Data Sheet

Roof panel with IPN insulation core



Cross section



Application

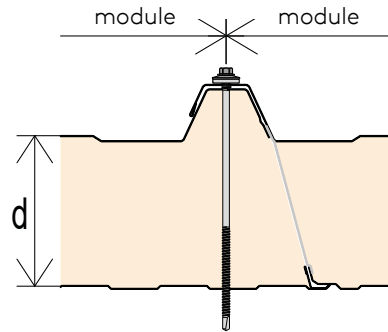
The KS1000 RW is a trapezoidal formed roof system with a standard fastening method (through fixed), which is suitable for all building applications, with a roof slope:

- more than 4° (7%) for roofs with one panel in the slope direction;
- more than 6° (10%) for roofs with end lapping (two or more panels in slope direction).

The KS1000 RW panel can also be used for wall cladding.

The application of panel should be verified for each project individually, in order to meet the design requirements.

Joint detail



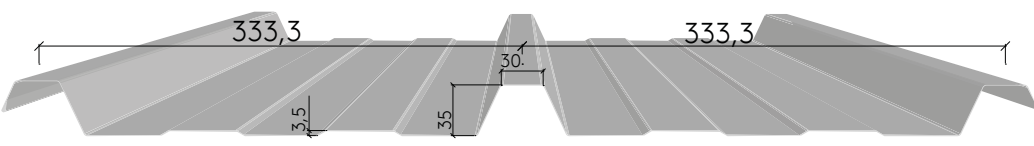

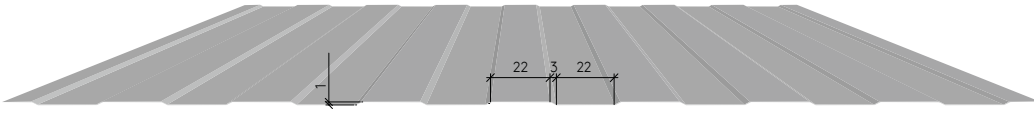

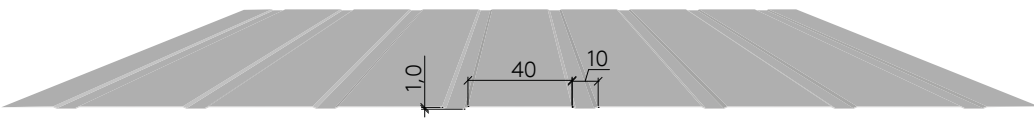

Technical details

Product	Module [mm]	Insulation core thickness d/D [mm]	Weight [kg/m ²]	Panel lengths ⁽²⁾ [m]		Number of panels in bundle [pcs]	Heat transfer coefficient U [W/(m ² K)] for $\lambda = 0,022$ [W/mK] at temp. 10°C	Sound reduction index R _v [dB]	Fire parameters	
				Min. ⁽¹⁾	Max.				Reactione to fire	Fire resistance ⁽³⁾
KS1000 RW	1000									
KS1000 RW	1000	80/115	11,27	5,0	15,0	10	0,26	25	B-s1,d0	in testing
		100/135	12,03			8	0,21			
		120/155	12,83			7	0,18	26		REI 20 / RE 60
		160/195	14,43	4,0	6	0,13				


Note:

- 1) At the request of the ordering party (for an additional fee) it is possible to deliver shorter panels. In other cases, short sections are combined in length meeting the production requirements.
- 2) All panels are manufactured with factory made endlaps (included in total length). Dimension of cutback: 50-350 mm; 50-630 mm; Cut Back orientation: left or right.
- 3) Fire resistance parameters are valid for the product specification based on specific fire resistance classification of relevant product..

Technical data

Profilation	Geometry - dimensions in [mm]	Exterior	Interior
T (Trapez)			
Q (Minibox)			
B (Box)			





 standard

 on request







Material

- **Exterior/Interior facings:** hot-dip zinc coated steel with a total of 275 g/m² of zinc, according to EN 14509;
- **Insulation core:** closed cell rigid IPN foam;

Exterior coating options

- **Poliester SP25 – (Kingspan (PES))** - corrosivity category up to C3; 
- **PVD(F) 2 layers - (Kingspan PVD(F) 2 layers)** - corrosivity category up to C3¹⁾; 
- **PVD(F) 3 layers - (Kingspan PVD(F) 3 layers)** - corrosivity category up to C3¹⁾; 
- **PUR55 - (Kingspan Spectrum)** - corrosivity category up to C4²⁾; 

Interior coating options

- **Poliester SP15 - (Kingspan PEI)** - corrosivity category up to C1; 
- **Poliester SP25 – (Kingspan (PES))** - corrosivity category up to C3; 
- **PVD(F) 2 layers - (Kingspan PVD(F) 2 layers)** - corrosivity category up to C3¹⁾; 
- **PVD(F) 3 layers - (Kingspan PVD(F) 3 layers)** - corrosivity category up to C3¹⁾; 
- **FoodSafe PVC(F) (Kingspan FoodSafe)** - corrosivity category up to C5-l 
- **PUR55 - (Kingspan Spectrum)** - corrosivity category up to C4¹⁾; 

1) Corrosion resistance category up to C4 on special order; to be confirmed by Kingspan's Quality Control Department.

2) Corrosion resistance category up to C5-l, M on special order; to be confirmed by Kingspan's Quality Control Department.

Reference documents

KS1000 RW sandwich panels are manufactured in accordance with the EN 14 509 and CE marked.

Kingspan provides insurer solutions tested in accordance with FM requirements.

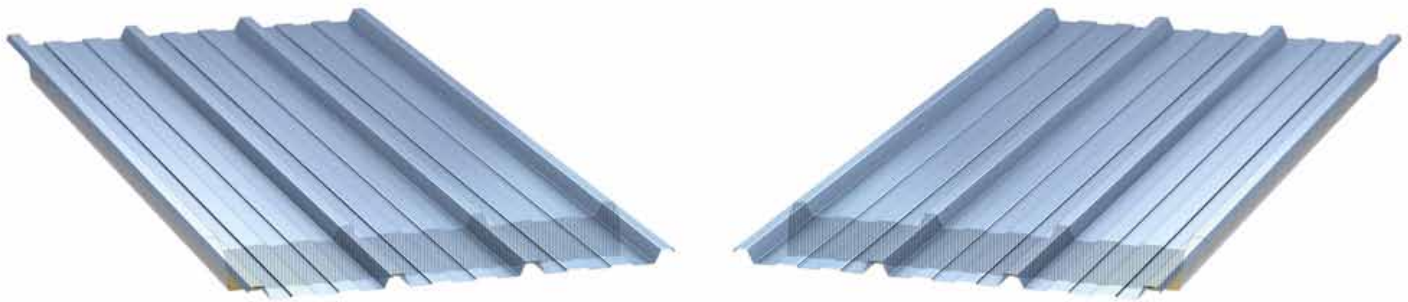
Quality

Kingspan insulated sandwich panels are manufactured from the highest quality materials, using state of the art production equipment to rigorous quality control standards, complying with ISO 9001:2015 standards, ensuring long term reliability and service life.

Guarantees & Warranties

The Kingspan guarantees are individually assessed for each project, especially depending on the aggressiveness of the environment and the type of surface treatment chosen.

Cut Back - KS1000 RW with IPN insulation core:



Mounting direction from left to right
Cut Back "left" - L



Mounting direction from right to left
Cut Back "right" - R

KINGSPAN STANDARD COLORS - EXTERIOR SIDE

Exterior coat types (for galvanized steel)	Polyester (PES) - 25µm	R9010	R9002	R9006	R9007	
		R7012	R7016	The colors are only illustrative in nature and may differ from the actual ones.		
		Standard interior colors for KS1000 RW panels are R9010 PES or R9002 PES				

Other colors from other palettes are also available on request, after prior consultation with Kingspan.

Kingspan AB
 Prytzgatan 6
 431 31 Mölndal
 Tel. +46 (0)31 760 26 99
 E-mail: info@kingspan.se



Information about the product offer in others countries can be obtained from your local sales representative or on the website www.kingspan.com

Although Kingspan makes every effort to provide information contained in this publication were as accurate as possible, correct and complete, please note that its content should not be the basis of the procedure in any particular case. Any advice, opinions, information or other content is published solely based on the principle that neither the company, its employees or representatives, or people who contributed to the uprising of this publication, do not assume any liability for its content or any damage caused in connection with this content.