

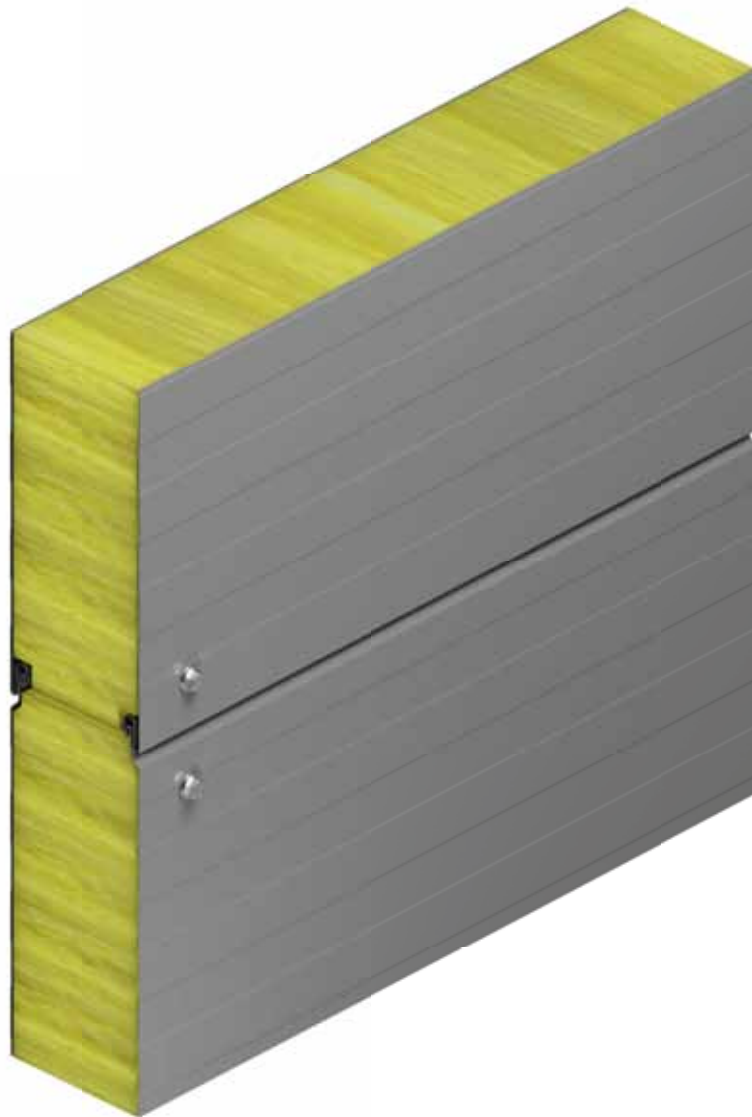


Kingspan

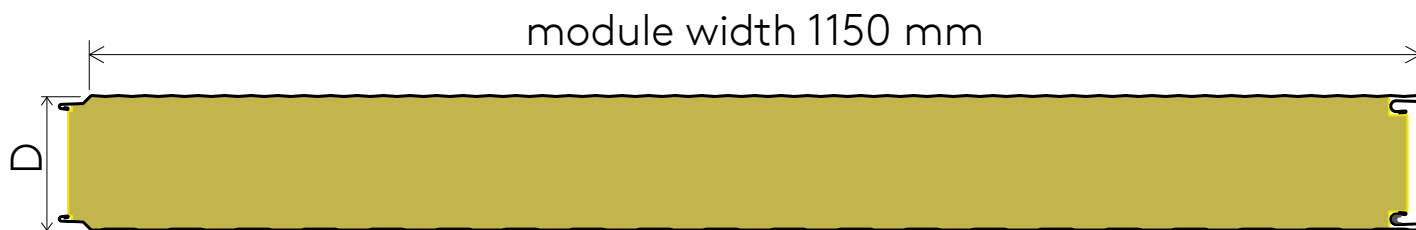
KS1150 RF F

Product Data Sheet

Wall panel with through-fix and K-Roc® stone wool insulation core.



Cross section



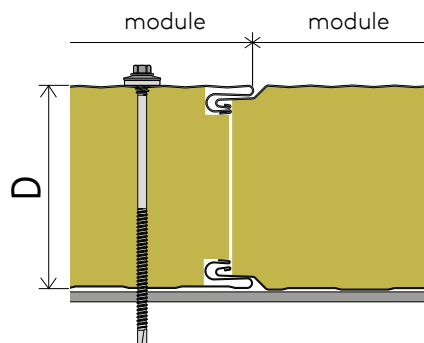
Application

The KS1150 RF F is a through-fix wall system which can be laid vertically or horizontally and it is suitable for wall cladding on all types of buildings except where there are internal low temperature conditions (below 0 °C).

Panel KS1150 RF F available also in modules width 1000, 1100 and 1200 mm.

The application of panel should be verified for each project individually in order to meet the design requirements.

Joint detail



Technical properties

Product	Module [mm]	Insulation core thickness D [mm]	Weight [kg/m ²]	Panel lengths [m]		Number of panels in bundle [pcs]	Heat transfer coefficient U _{d,s} [W/(m ² K)] for λ = 0,045 [W/mK] at temp. 10°C	Sound insulation R _v [dB]	Fire parameters		
				Min. ⁽¹⁾	Max.				Reaction to fire	Fire resistance ⁽³⁾	
										H - horizontal	V - vertical
KS1150 RF F	1150 ⁽²⁾	80	18,35	2,0	9,0	15	0,54	32	A2-s1,d0	EI 30 - 6,0 m (o<->i)	EI 30 - 4,0 m (o<->i)
		100	20,63							EI 20 - 7,5 m (o<->i)	EI 20 - 7,5 m (o<->i)
		120	22,90							EI 90 - 4,0 m	EI 120 - 4,0 m
		150	26,32							EI 60 - 7,5 m	EI 90 - 7,5 m
		175	29,16							EI 180 - 6,0 m	EI 120 - 6,0 m
		200	32,00							EI 120 - 7,5 m	EI 90 - 7,5 m
		220	34,28	12,0	5	0,20	30	EI 240 - 7,5 m		EI 240 - 4,0 m	
		240	36,55								4/5

Note:

- 1) At the request of the ordering party (for an additional fee) it is possible to deliver shorter panels. In other cases short sections are combined in length, meeting the production requirements.
- 2) Panel available also in modules width **1000 mm, 1100 mm** and **1200 mm**
- 3) Fire resistance parameters are valid for the product specification based on specific fire resistance classification of relevant product.

Profilation options

Profilations	Geometry - dimensions in [mm]	External	Internal
M (Micro)		■	
E (Euro)		■	
B (Box)			■
Q (Minibox 22)		■	■
F (Flat)		■	■

■ standard ● on request

Material

- **Exterior/Interior facings** - Hot-dip zinc coated steel with a total of 275 g/m² of zinc, according to EN 14 509; - austenitic stainless steel type 1.4301 according to EN 10 088
- **Insulation core** - K-Roc® stone wool core - Class A;

Exterior coating options

- **Polyester SP25 (Kingspan PES)** - corrosivity category up to C3; ■
- **PVD(F) 2 layers (Kingspan PVD(F) 2 layers)** - corrosivity category up to C3¹⁾; ●
- **PVD(F) 3 layers (Kingspan PVD(F) 3 layers)** - corrosivity category up to C3¹⁾; ●
- **PUR (Kingspan Spectrum)** - corrosivity category up to C4²⁾; ■
- **INOX** - corrosivity category up to C5²⁾; ■

Interior coating options

- **Polyester SP15 (Kingspan PEI)** - corrosivity category up to C2; ■
- **Polyester SP25 (Kingspan PES)** - corrosivity category up to C3; ■
- **FoodSafe PVC(F) (Kingspan FoodSafe)** - corrosivity category up to C5-I; ●
- **PVD(F) 2 layers (Kingspan PVD(F) 2 layers)** - corrosivity category up to C3¹⁾; ●
- **PVD(F) 3 layers (Kingspan PVD(F) 3 layers)** - corrosivity category up to C3¹⁾; ●
- **PUR (Kingspan Spectrum)** - corrosivity category up to C4²⁾; ●
- **INOX** - corrosivity category up to C5²⁾; ■

1) Corrosion resistance category up to C4 on special order; to be confirmed by Kingspan's Quality Control Department.
 2) Corrosion resistance category up to C5-I, M on special order; to be confirmed by Kingspan's Quality Control Department.

Quality

Kingspan insulated sandwich panels are manufactured from the highest quality materials, using state of the art production equipment to rigorous quality control standards, complying with ISO 9001:2015 standards, ensuring long term reliability and service life. RF F sandwich panels are manufactured in accordance with the EN 14 509 and CE marked. RF F panels meet the requirements for FM Global certification (4880/4881).

Guarantees & Warranties

The Kingspan guarantees are individually assessed for each project, especially depending on the aggressiveness of the environment and the type of surface treatment chosen.

KINGSPAN STANDARD COLORS - EXTERIOR SIDE

Exterior coat types (for galvanized steel)	Poliester (PES) - 25µm	R9010	R9002	R7035
		R9006	R9007	R7016
Standard interior colors for KS1150 RF panels are R9010 PES or R9002 PEI (dedicated for the inside of the panel).				
The colors are only illustrative in nature and may differ from the actual ones.				

Other colors from other palettes are also available on request after prior consultation with Kingspan.

Kingspan AB
Prytzgatan 6
431 31 Mölndal
Tel. +46 (0)31 760 26 99
E-mail: info@kingspan.se

Information about the product offer in others countries can be obtained from your local sales representative or on the website www.kingspan.com



Although Kingspan makes every effort to provide information contained in this publication were as accurate as possible, correct and complete, please note that its content should not be the basis of the procedure in any particular case. Any advice, opinions, information or other content is published solely based on the principle that neither the company, its employees or representatives, or people who contributed to the uprising of this publication, do not assume any liability for its content or any damage caused in connection with this content.