

Insulated Panels
Sweden

Kingspan

KS1000 FF

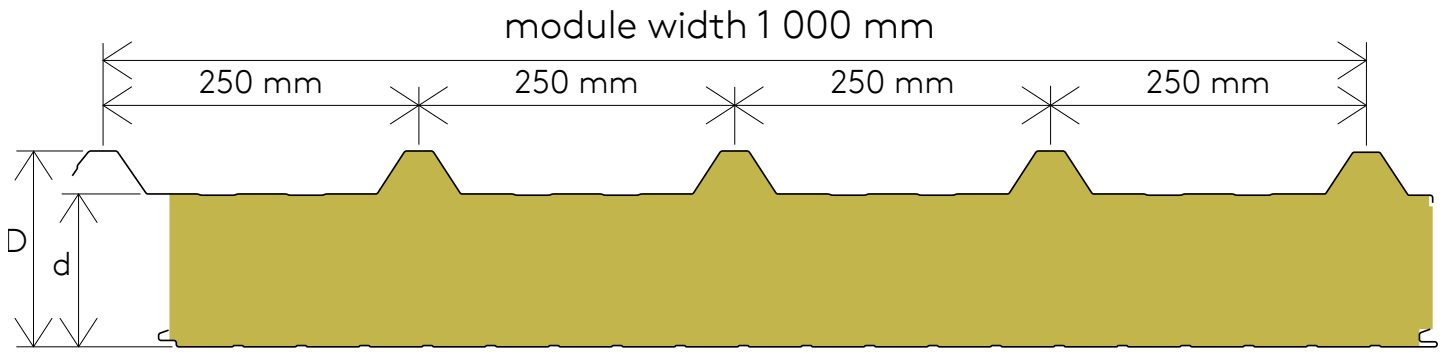
KS1000 FF Strong

Product Data Sheet

Roof panel with K-Roc® mineral wool insulation core



Cross section



Application

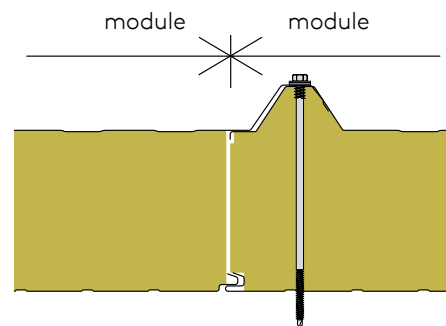
KS1000 FF is a trapezoidal formed roof system with a standard fastening method (through fixed) and a mineral fibre insulation core, which is applicable for all building applications, where the roof slope is:

- more than 5° (8.5%) for roofs with one panel in the slope direction,
- more than 8° (14%) for roofs with end lapping (two or more panels in slope direction).

The KS1000 FF panel with high fire performance can also be used for wall claddings.

The application of panel should be verified for each project individually, in order to meet the design requirements.

Joint detail



KS1000 FF panels are also available in the **KS1000 FF Strong** version with increased load capacity up to 100%.

Detailed technical data are available in [Wall and Roof Panels Load Span Tables](#) on our website.

Technical details

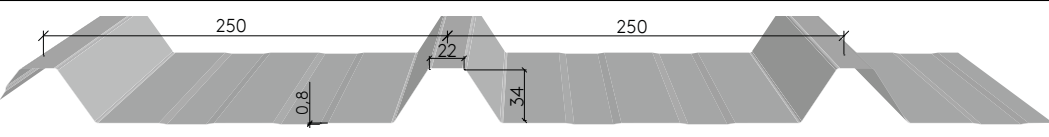

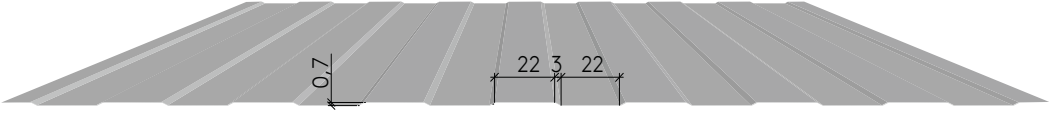

Product	Module [mm]	Insulation core thickness d/D [mm]	Weight [kg/m ²]	Panel lengths [m]		Number of panels in bundle [pcs]	Heat transfer coefficient U _{d,s} [W/(m ² K)] for λ = 0,044 [W/mK] at temp. 10°C	Sound reduction index R _w [dB]	Fire parameters	
			Thickness of steel facings ext./int. 0,6 mm / 0,5 mm	Min. ⁽¹⁾	Max.				Reaction to fire	Fire resistance ⁽²⁾
KS1000 FF	1000	100/134	21,59	3,0	13,0	10	0,41	32	A2-s1, d0 B _{Roof} (t ₁), (t ₂), (t ₃)	REI 90 (0°-15°)
		120/154	23,79			8	0,35			33
		150/184	27,09			6/7	0,28			
		175/209	31,59			6	0,24			
		200/234	34,59			5	0,21			



Note:

1) At the request of the ordering party (for an additional fee) it is possible to deliver shorter panels. In other cases, short sections are combined in length meeting the production requirements.

2) Fire resistance parameters are valid for the product specification based on specific fire resistance classification of relevant product.

Technical data





Profilations	Geometry - dimensions in [mm]	Exterior	Interior
T (Trapez)			
Q (Minibox)			

-  standard
-  on request







Material

- **Exterior/Interior facings**
 - hot-dip zinc coated steel with a total of 275 g/m² of zinc, according to EN 14 509;
- **Insulation core**
 - K-Roc® insulation core made of Class A mineral wool;

Exterior coating options

- **Poliester SP25 – (Kingspan (PES))** - corrosivity category up to C3; 
- **PVD(F) 2 warstwy – (Kingspan PVD(F) 2 warstwy)** - corrosivity category up to C3¹⁾; 
- **PVD(F) 3 warstwy – (Kingspan PVD(F) 3 warstwy)** - corrosivity category up to C3¹⁾; 
- **PUR55 – (Kingspan Spectrum)** - corrosivity category up to C4²⁾; 

Interior coating options

- **Poliester SP15 – (Kingspan PEI)** - corrosivity category up to C1; 
- **Poliester SP25 (Kingspan PES)** - corrosivity category up to C3; 
- **PVD(F) 2 warstwy – (Kingspan PVD(F) 2 warstwy)** - corrosivity category up to C3¹⁾; 
- **PVD(F) 3 warstwy – (Kingspan PVD(F) 3 warstwy)** - corrosivity category up to C3¹⁾; 
- **PUR55 – (Kingspan Spectrum)** - corrosivity category up to C4²⁾; 
- **FoodSafe PVC(F) – (Kingspan FoodSafe)** - corrosivity category up to C5-I; 

1) Corrosion resistance category up to C4 on special order; to be confirmed by Kingspan's Quality Control Department.
 2) Corrosion resistance category up to C5-I, M on special order; to be confirmed by Kingspan's Quality Control Department.

Reference documents

KS1000 FF sandwich panels are manufactured in accordance with the EN 14 509 and CE marked.

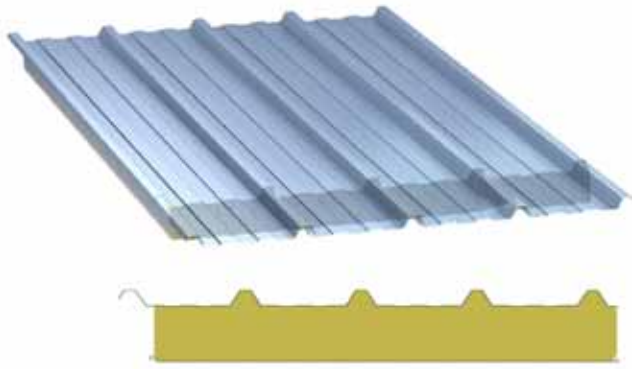
Quality

Kingspan insulating sandwich panels are made from the highest quality materials, using the latest manufacturing technology, meet the stringent quality control requirements, meet ISO 9001:2015 standards and guarantee long service life and reliability.

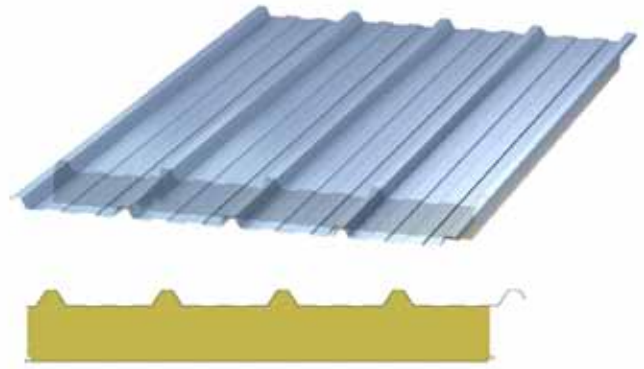
Guarantees & Warranties

The Kingspan guarantees are individually assessed for each project, especially depending on the aggressiveness of the environment and the type of surface treatment chosen.

Cut Back - KS1000 FF with K-Roc® insulation core:



Mounting direction from left to right
Cut Back "left" - L



Mounting direction from right to left
Cut Back "right" - R

KINGSPAN STANDARD COLORS - EXTERIOR SIDE

Exterior coat types (for galvanized steel)	Poliester (PES) - 25 µm	R9010	R9002	R9006	R9007	R7016
		<p>The colors are only illustrative in nature and may differ from the actual ones.</p> <p>Standard interior colors for KS1000 FF panels are R9010 PES or R9002 PEI (dedicated for the inside of the panel).</p>				

Other colors from other palettes are also available on request, after prior consultation with Kingspan.

Kingspan AB
Prytzgatan 6
431 31 Mölndal
Tel. +46 (0)31 760 26 99
E-mail: info@kingspan.se



Information about the product offer in others countries can be obtained from your local sales representative or on the website www.kingspan.com

Although Kingspan makes every effort to provide information contained in this publication were as accurate as possible, correct and complete, please note that its content should not be the basis of the procedure in any particular case. Any advice, opinions, information or other content is published solely based on the principle that neither the company, its employees or representatives, or people who contributed to the uprising of this publication, do not assume any liability for its content or any damage caused in connection with this content.

