

Insulated Panels
Sweden

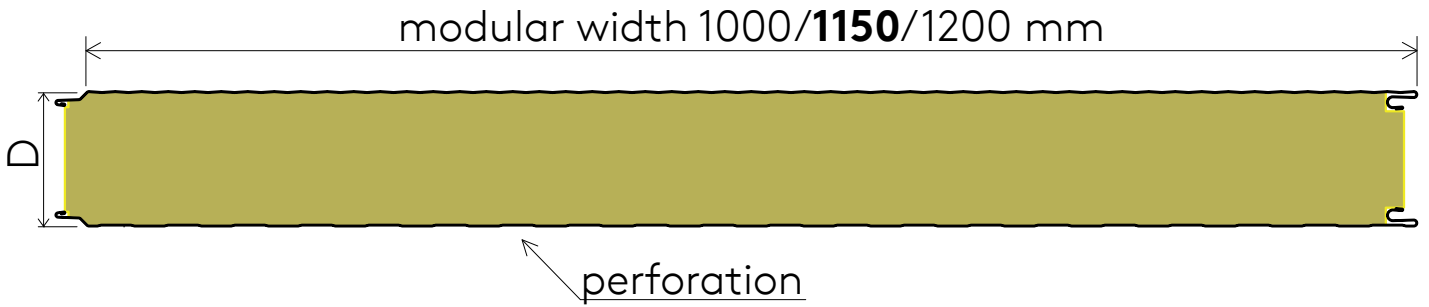
Kingspan KS1150 AF

Product Data Sheet

Acoustic wall panel with visible fix and K-Roc® mineral wool insulation core



Cross section

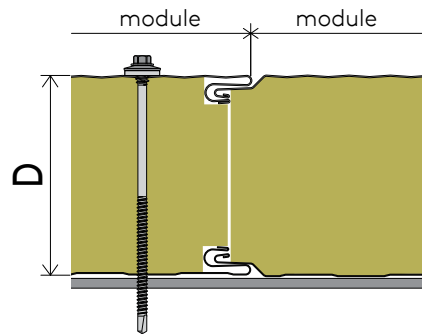


Application

The acoustic element with a width of 1000/1150/1200 mm is used as a dividing wall. Because of its perforated cover on the internal site the sound level in buildings can be reduced significantly. KS1000/1150/1200 AF can be laid vertically or horizontally

The application of panel should be verified for each project individually, in order to meet the design requirements.

Joint detail



Technical details

Product	Module [mm]	Insulation core thickness D [mm]	Weight [kg/m ²]	Panel lengths [m]		Number of panels in bundle [pcs]	Heat transfer coefficient $U_{d,s}$ [W/(m ² K)] for $\lambda = 0,045$ [W/mK] at temp. 10°C	Sound absorption coefficient α_w	Sound reduction index R_w [dB]	Fire parameters		
				Min. ⁽¹⁾	Max.					Reaction to fire	Fire resistance ⁽³⁾	
											H horizontal	V vertical
KS1000/1150/1200 AF	1150 ²⁾	80	17,46	2,0	5,0	15	0,53	0,75	35	A2-s1,d0	-	-
		100	19,76		6,0	12	0,43				EI 30 - 6,0 m (o<-i) EI 20 - 7,5 m (o<-i)	EI 30 - 4,0 m (o<-i) EI 20 - 6,0 m (o<-i)
		120	22,06		7,0	9/10	0,36	0,80				
		150	25,51		8,0	7/8	0,29					

Note:

- 1) At the request of the ordering party (for an additional fee) it is possible to deliver shorter panels. In other cases, short sections are combined in length meeting the production requirements.
- 2) Panel is available also with modules 1000 and 1200 mm.
- 3) Fire resistance parameters are valid for the product specification based on specific fire resistance classification of relevant product.

Quality

Kingspan insulated sandwich panels are manufactured from the highest quality materials, using state of the art production equipment to rigorous quality control standards, complying with ISO 9001:2015 standards, ensuring long term reliability and service life.

Guarantees & Warranties

The Kingspan guarantees are individually assessed for each project, especially depending on the aggressiveness of the environment and the type of surface treatment chosen.

Technical data

Profilations	Geometry - dimensions in [mm]	Exterior	Interior
M (Micro)		■	
E (Euro)		■	
Q (Minibox 22)		■	
X (Perforated)*			■
F (Flat)		■	

* Perforation accounts for 35,43 % of the sheet surface. For more details about X (perforated) profilation, please contact with Kingspan Technical Department (tech@kingspan.pl)

■ standard

● on request

Material

- **Exterior/Interior facings**
 - hot-dip zinc coated steel with a total of 275 g/m² of zinc;
- **Insulation core**
 - K-Roc® stone wool core - Class A;

Exterior coating options

- **Poliester SP25 - (Kingspan (PES))** - corrosivity category up to C3; ■
- **PVD(F) 2 layers - (Kingspan PVD(F) 2 layers)** - corrosivity category up to C3; ●
- **PVD(F) 3 layers - (Kingspan PVD(F) 3 layers)** - corrosivity category up to C3; ●
- **PUR55 - (Kingspan Spectrum)** - corrosivity category up to C4; ■
- **INOX** - corrosivity category up to C4; ●

Interior coating options

- **Poliester SP15 - (Kingspan PEI)** - corrosivity category up to C2; ●
- **Poliester SP25 - (Kingspan (PES))** - corrosivity category up to C2; ■
- **PVD(F) 2 layers - (Kingspan PVD(F) 2 layers)** - corrosivity category up to C2; ●
- **PVD(F) 3 layers - (Kingspan PVD(F) 3 layers)** - corrosivity category up to C2; ●
- **PUR55 - (Kingspan Spectrum)** - corrosivity category up to C2; ●
- **INOX** - corrosivity category up to C3; ●

KINGSPAN STANDARD COLORS - EXTERIOR SIDE

Exterior coat types (for galvanized steel)	Polyester (PES) – 25µm	R9010	R9002	R9006
		The colors are only illustrative in nature and may differ from the actual ones.		
		The standard interior color for KS1150 AF panels is R9002 PES.		

Other colors from other palettes are also available on request, after prior consultation with Kingspan.

Kingspan AB
Prytzgatan 6
431 31 Mölndal
Tel. +46 (0)31 760 26 99
E-mail: info@kingspan.se

Information about the product offer in others countries can be obtained from your local sales representative or on the website **www.kingspan.com**



Although Kingspan makes every effort to provide information contained in this publication were as accurate as possible, correct and complete, please note that its content should not be the basis of the procedure in any particular case. Any advice, opinions, information or other content is published solely based on the principle that neither the company, its employees or representatives, or people who contributed to the uprising of this publication, do not assume any liability for its content or any damage caused in connection with this content.